

# Angular Contact Ball Bearings

Bearing No. : **NACHI 7238BDF**

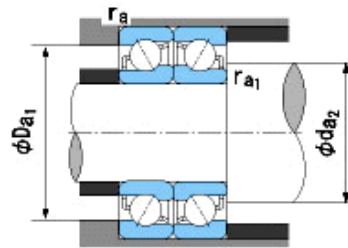
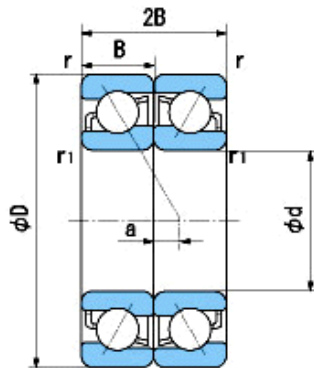
■ Bearing Type

■ Clearance

■ Tolerance Class

Dimensions

d = 190<sup>0</sup><sub>-0.030</sub>  
 D = 340<sup>0</sup><sub>-0.040</sub>  
 B = 55<sup>0</sup><sub>0.000</sub>  
 r = 4~6.5  
 (Radial Direction)  
 r = 4~9  
 (Axial Direction)  
 r1 = 1.5~3  
 (Radial Direction)  
 r1 = 1.5~5  
 (Axial Direction)  
 a = 83.7



Dimensions

da1(min) = 208  
 da2(min) = 199  
 Da1(max) = 322  
 Da2(max) = 331  
 ra(max) = 3  
 ra1(max) = 1.5  
 Mass = 43 kg

Basic Dynamic Load Rating Cr : **475,000** N  
 Basic Static Load Rating Cor : **770,000** N  
 Limiting Speed ;  
 Grease Lubrication : **1,100** min<sup>-1</sup>  
 Oil Lubrication : **1,600** min<sup>-1</sup>

	INNER RING	OUTER RING
O.D.Surface Runout with Side :		-
Axial Runout with Bore :	-	-
Axial Runout with Raceway :	-	-
Width Variation :	<b>0.030</b>	<b>0.030</b>
Radial Runout :	<b>0.040</b>	<b>0.070</b>